

B5817WX;B5818WX;B5819WX

Schottky Diode

FEATURE

- Low Forward Voltage Schottky Rectifier
- High Frequency Inverters
- RoHS compliant / Green EMC
- SOD323-GW Thin SMD package
- Matte Tin (Sn) Lead finish
- Cathode Band / Device marking

MARKING:

B5817WX	SJ
.B5818WX	SK
B5819WX	SL

SOD-323-GW



Schematic diagram



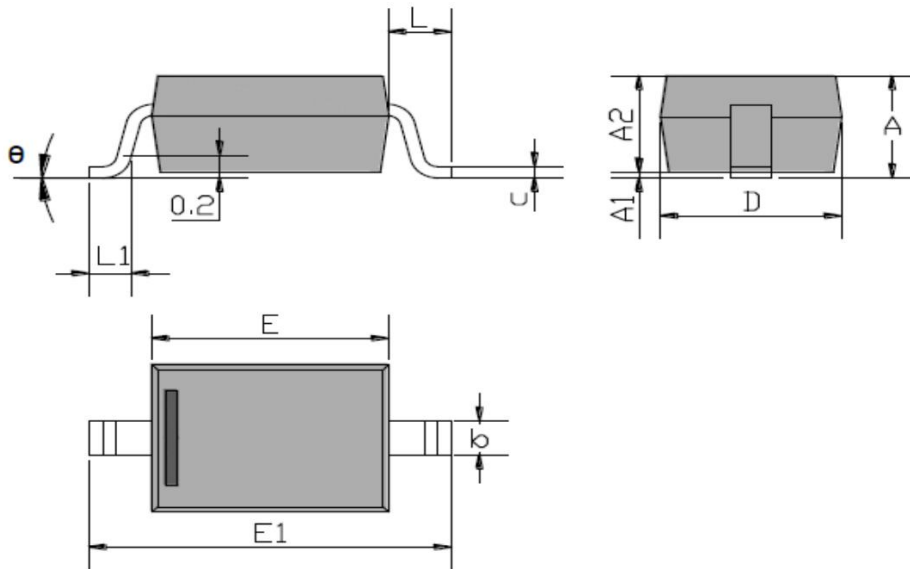
ABSOLUTE MAXIMUM RATINGS ($T_a=25^{\circ}\text{C}$ unless otherwise noted)

Parameter	Symbol	Value			Unit
		B5817 WX	B5818 WX	B5819 WX	
Non-Repetitive Peak Reverse Voltage	V_{RM}	20	30	40	V
Repetitive Peak Reverse Voltage	V_{RRM}	20	30	40	V
RMS Reverse Voltage	$V_{R(RMS)}$	14	21	28	V
Average Rectified Output Current	I_O	1			A
Non-Repetitive Peak Forward Surge Current	I_{FSM}	10			A
Power Dissipation	P_D	200			mW
Junction Temperature	T_J	125			$^{\circ}\text{C}$
Storage Temperature	T_{STG}	-55 to +125			$^{\circ}\text{C}$

ELECTRICAL CHARACTERISTICS(T_a=25°C unless otherwise noted)

Parameter	Symbol	Test Condition		Min	Type	Max	Unit
Forward Voltage	V _F	I _F =1A	B5817WX			0.45	V
			B5818WX			0.55	
			B5819WX			0.60	
		I _F =3A	B5817WX			0.75	V
			B5818WX			0.875	
			B5819WX			0.90	
Reverse current	I _R	V _R =20V	B5817WX			1	mA
		V _R =30V	B5818WX			1	
		V _R =40V	B5819WX			1	

SOD-323-GW Package Information



Symbol	Dimensions In Millimeters		
	Min	Typ	Max
A	-	-	1.000
A1	0.000	-	0.100
A2	0.800	-	0.900
b	0.250	-	0.350
c	0.080	-	0.150
D	1.200	-	1.400
E	1.600	-	1.800
E1	2.500	-	2.700
L	0.475 REF.		
L1	0.250	-	0.400
θ	0°	-	8°

1.Unit mm