

BAT54WX Schottky Diode

FEATURE

- Low Forward Voltage Schottky Rectifier
- RoHS compliant / Green EMC
- SOD323-GW Thin SMD package
- Matte Tin (Sn) Lead finish
- Cathode Band / Device marking

MARKING: **L9**

SOD-323-GW



Schematic diagram



ABSOLUTE MAXIMUM RATINGS (T_a=25°C unless otherwise noted)

Parameter	Symbol	Value	Unit
DC Blocking Voltage	V _R	30	V
Continuous Forward Current	I _O	100	mA
Forward continuous current	I _F	200	mA
Repetitive peak forward current	I _{FRM}	300	mA
Non-repetitive Peak Forward Surge Current *1	I _{FSM}	600	mA
Power Dissipation	P _D	200	mW
Junction Temperature	T _J	125	°C
Storage Temperature	T _{STG}	-65 to +125	°C

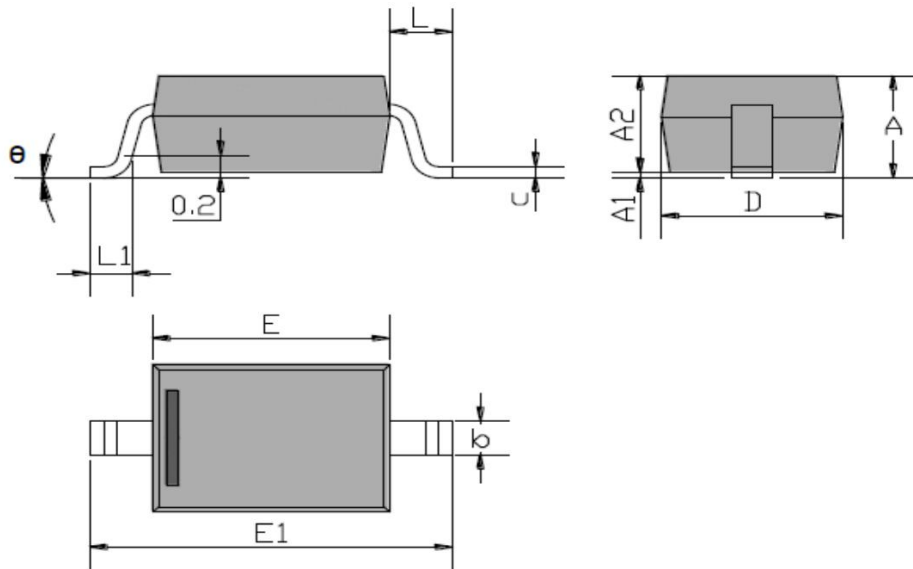
*1 8.3 ms single half sine-wave

ELECTRICAL CHARACTERISTICS(T_a=25°C unless otherwise noted)

Parameter	Symbol	Test Condition	Min	Type	Max	Unit
Reverse breakdown voltage	V _{BR}	I _R =100μA	30			V
Forward Voltage	V _F	I _F = 0.1mA			240	mV
		I _F = 1.0mA			320	mV
		I _F = 10mA			400	mV
		I _F = 30mA			500	mV
		I _F = 100mA			1000	mV
Reverse Current	I _R	V _R = 25V			2.0	μA
Capacitance	C _T	V _R = 1V, f = 1MHz			10	pF
Reverse recovery time	trr	I _F =10mA, I _R =10mA to 1mA , R _L =100Ω			5.0	ns

SOD-323-GW Package Information

Device	Package	Shipping	Tape wide	Emboss pitch	Tape specification	Notes
BAT54WX	SOD-323-GW	Tape & Reel 3000pcs /7" Reel	8 mm	4 mm	Conductive	



Symbol	Dimensions In Millimeters		
	Min	Typ	Max
A	-	-	1.000
A1	0.000	-	0.100
A2	0.800	-	0.900
b	0.250	-	0.350
c	0.080	-	0.150
D	1.200	-	1.400
E	1.600	-	1.800
E1	2.500	-	2.700
L	0.475 REF.		
L1	0.250	-	0.400
theta	0°	-	8°

1. Unit mm